

Hardware #	Description
M50-PB	Polished Brass Pull
M55-PB	Polished Brass Knob
M20-PC	Polished Chrome Pull
M25-PC	Polished Chrome Knob
M40-RI	Rust Iron Pull
M45-RI	Rust Iron Knob
M30-BI	Black Iron Pull
M35-BI	Black Iron Knob
M70-BN	Brushed Nickel Pull
M75-BN	Brushed Nickel Knob
M60-BN	Brushed Nickel Pull
M65-BN	Brushed Nickel Knob

# SPECIFICATIONS

## Specifications:

### Drawers:

Drawer Fronts are 3/4" thick solid wood or MDF depending on the style.

**Standard Drawer Box:** Sides, front and back are 5/8" thick PBC with natural birch melamine. Drawer bottoms are 1/4" thick hardboard. Drawer box is fastened to front with screws. Drawer slides are side mounted, white epoxy coated with captive rails. Drawer slides are self-closing on nylon rollers for silent movement. They are lifetime guaranteed and have a load rating of 75 pounds.

#### Drawer Box Options:

**Dovetail:** Sides, front and back are 5/8" thick solid wood dovetailed at all four corners. Drawer bottoms are 1/4" thick plywood. Drawer box is fastened to front with screws and are lifetime guaranteed. Drawer slides are an epoxy coated undermount, 3/4 extension, self-closing on nylon rollers for silent movement. They are lifetime guaranteed and have a load rating of 100 pounds.

**Softmotion:** Sides, front and back are 5/8" thick solid wood dovetailed at all four corners. Drawer bottoms are 1/4" thick plywood. Drawer box is fastened to front with screws and are lifetime guaranteed. Drawer slides are full extension undermount, soft motion self closing with an easy release mechanism. They have a load rating of 100 lbs. per pair. They are lifetime guaranteed and have a load rating of 100 pounds.

### Frames:

All frames are 1 1/2" X 3/4" solid wood.

### Sides:

Cabinet sides are 1/2" thick, PBC with natural birch melamine interior. All exterior sides are a matching melamine to match the wood specie of the cabinet ordered. Sides are fastened to the front frame with glue using dado construction.

### Tops and Bottoms:

Tops and bottoms of all wall cabinets and the bottoms of base cabinets are 1/2" thick PBC with natural birch melamine. Tops and bottoms are glued and set into the sides and frame.

### Backs:

Backs are 1/8" material with natural birch melamine.

### Shelves:

Shelves are 5/8" thick PBC with natural birch melamine both sides and front edge. Shelves are supported with plastic shelf supports and are adjustable on 32mm increments.

### Toekick:

1/2" PBC matching melamine to match the wood specie of the cabinet ordered. Supplied in 4 1/2" X 8' lengths.

### Heat shield:

One set of Heat Shields are sent with every foil kitchen. They are used to protect the foil parts from heat given off by a self cleaning oven during the cleaning cycle.

### Hardware:

All doors have a concealed hinge which is a self-closing, adjustable hinge. Pulls and knobs are available in a variety of styles and are furnished at no charge.

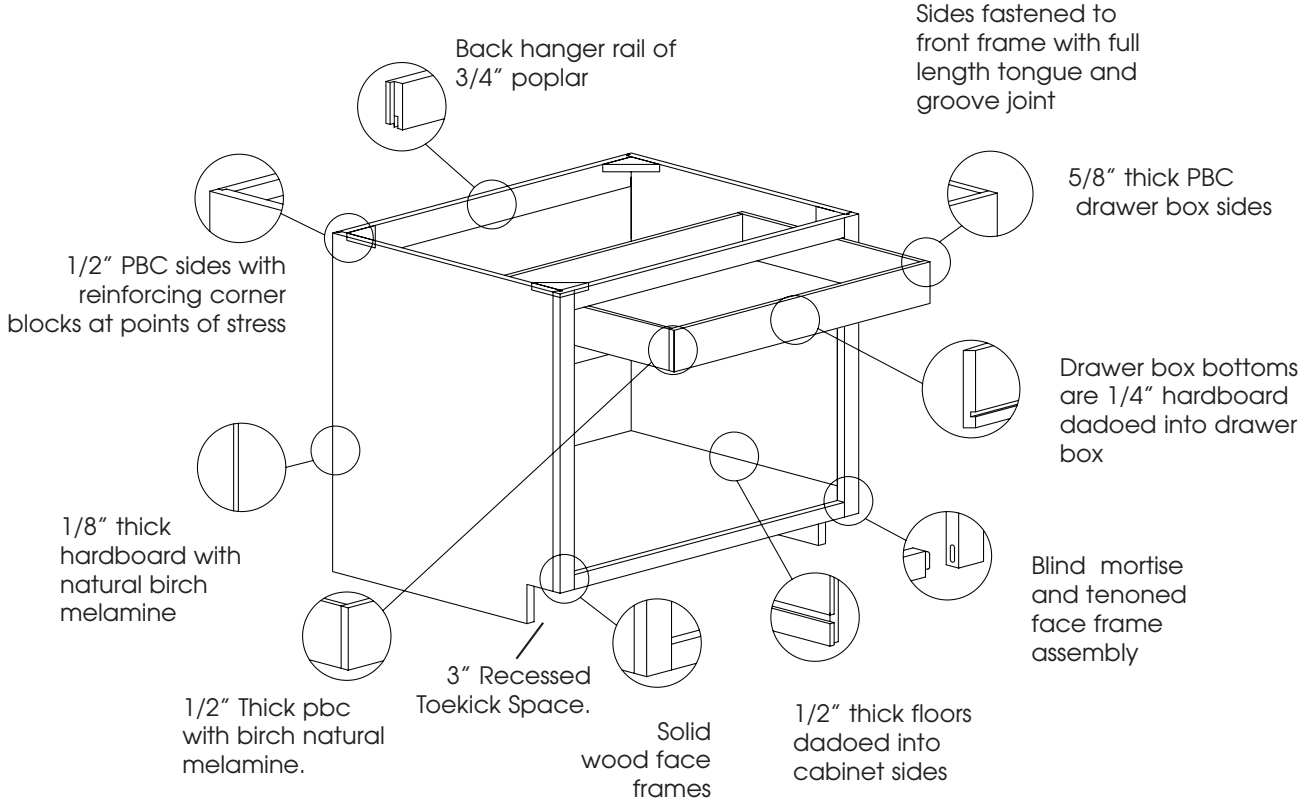
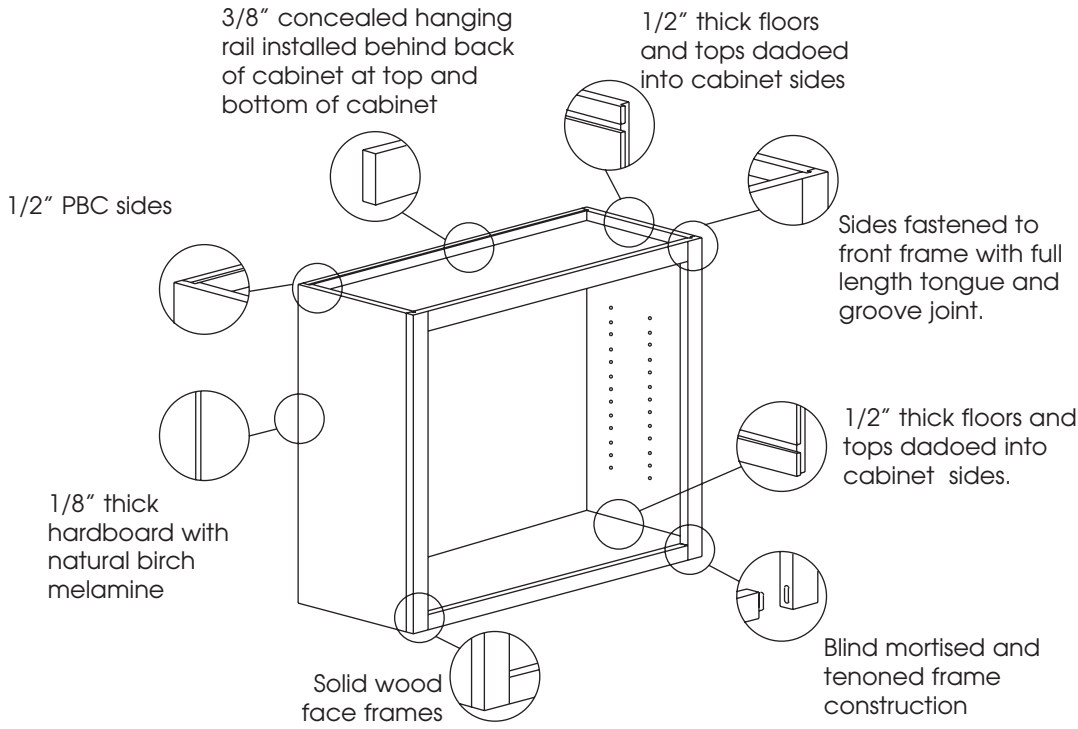
### Finish:

All cabinets are sanded prior to staining. A penetrating grain stain is then applied. The sealer coat, which is a catalyzed conversion coating, is sprayed and cured. This sealer is a blending of alkyd, amino and vinyl resins, which contributes to the overall durability of the system by penetrating the grain of the wood and providing a "link" coat between the stain and the topcoat. The sealer is then sanded and prepared for the topcoat application. The final coating is a catalyzed, conversion varnish which is a carefully formulated combination of alkyd and amino resins. After spray application the film is cured and cross links to form a superior thermoset coating that possesses exceptional stain, moisture and chemical resistance, while retaining its clarity.

### Wood Species and Stain Colors Available

Birch	Dawn, Java, Natural, Snowbank, Toffee, Rose
Oak	Dawn, Laurel, Toffee
Hickory	Natural, Toffee
Rustic Hickory (Add 10%)	Natural, Toffee
Maple (Add 9%)	Dawn, Natural, Snowbank, Toffee
MDF/Birch	White (Available with White Thermofoil doors only)
Unfinished	Face frame, door, and drawer front will be unfinished in selected wood species. The interior will have birch natural paper and the exterior will be unfinished partial board. A paper backed wood veneer skin can be ordered and applied to cabinet side on the job site. See page M4 for details.

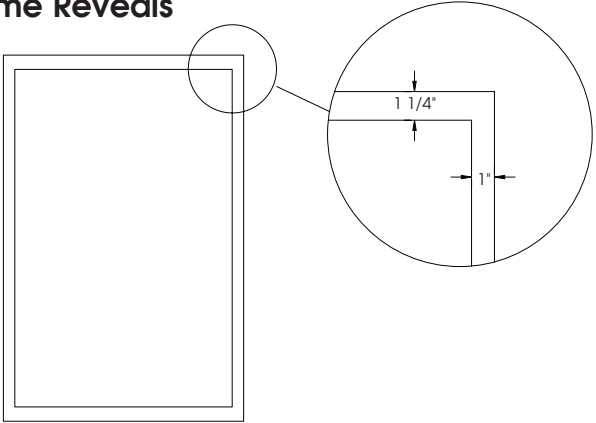
CONSTRUCTION DETAILS



Bertch® JULY 2007  
marketplace.cabinetry

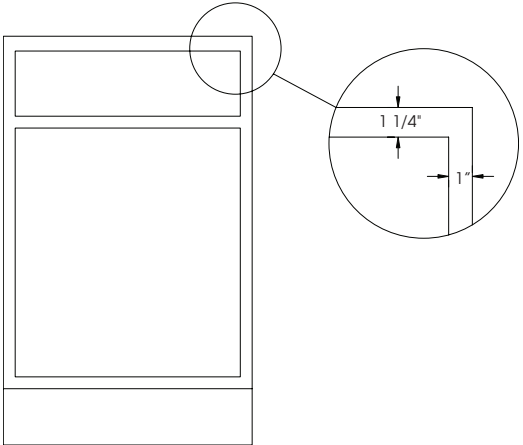
# Designing with Overlay Doors

## Frame Reveals



### WALL UNIT

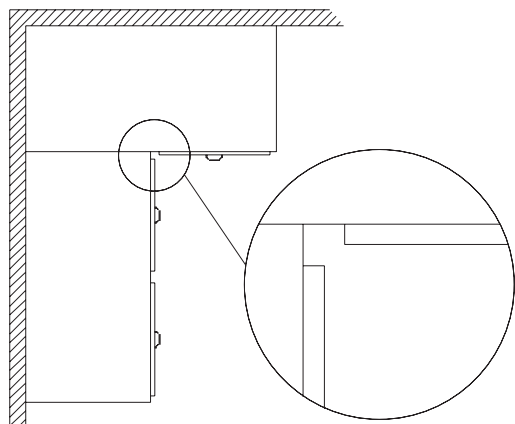
Wall units are designed to leave 1 1/4" of the frame revealed on the top and bottom and 1" reveal on both sides.



### BASE UNIT

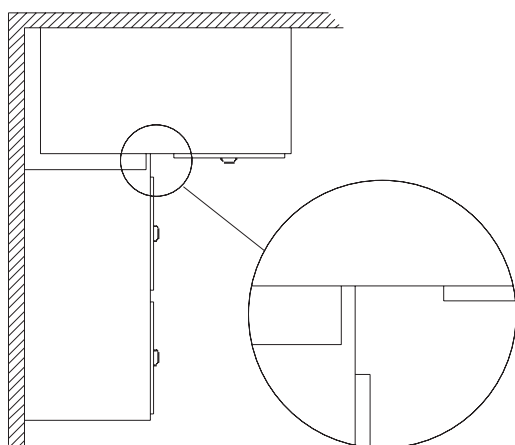
Base units are designed to leave 1 1/4" of the frame revealed on the top and bottom and 1" reveal on both sides.

## Corner Applications



### CAUTION

When cabinets are not "pulled" away from the corner, the protrusion of decorative hardware may not leave proper operating clearance for doors and drawers.



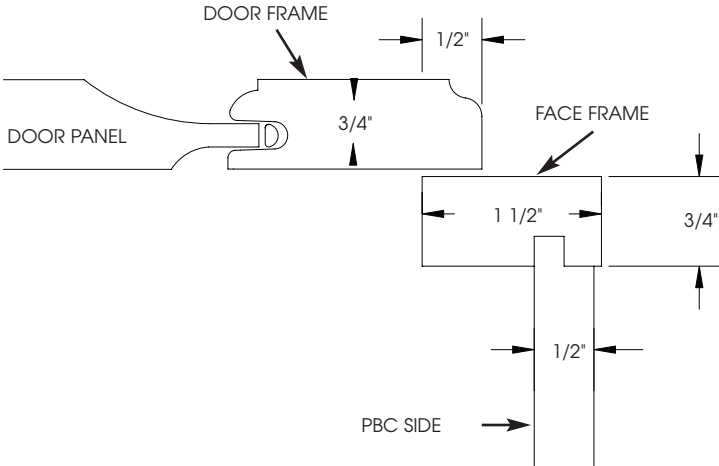
### RECOMMENDED

Cabinets that have been "pulled" from the corner leaving proper operating clearance for doors and drawers.

## OVERLAY DOORS STYLES

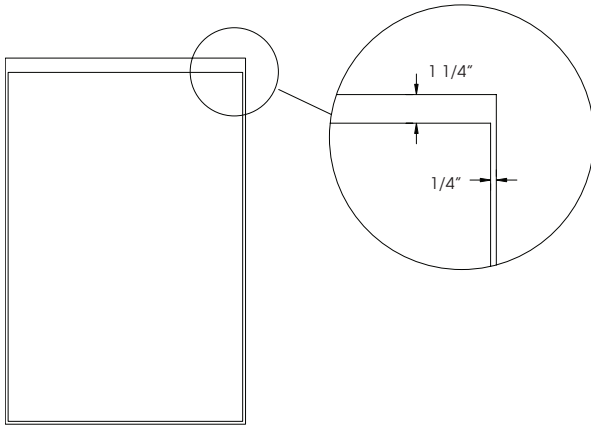
### CONCEALED HINGE

- LOGAN SQUARE
- MILAN ARCH
- MILAN SQUARE
- TEMPEST ARCH
- TEMPEST SQUARE



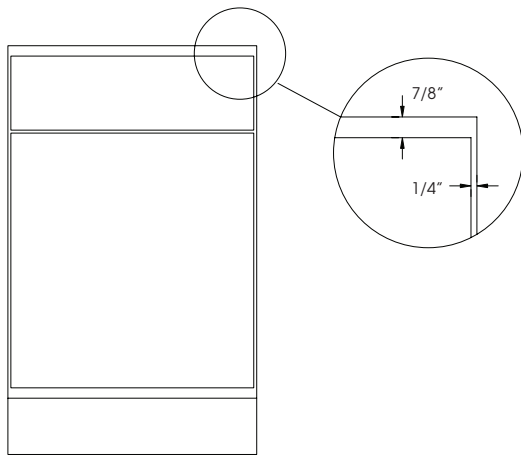
# Designing with Full Overlay Doors

## Frame Reveals



### WALL UNIT

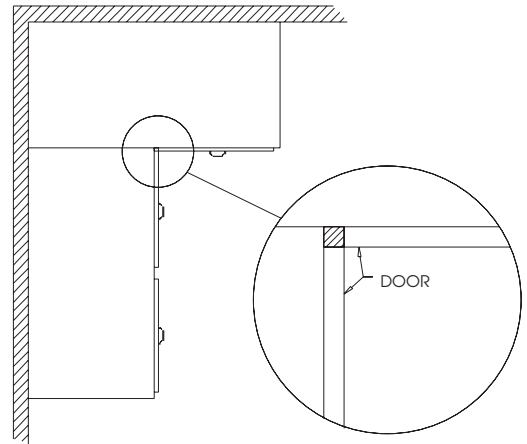
Wall cabinets have a 1 1/4" reveal on top and 1/4" reveal on both sides and bottom.



### BASE UNIT

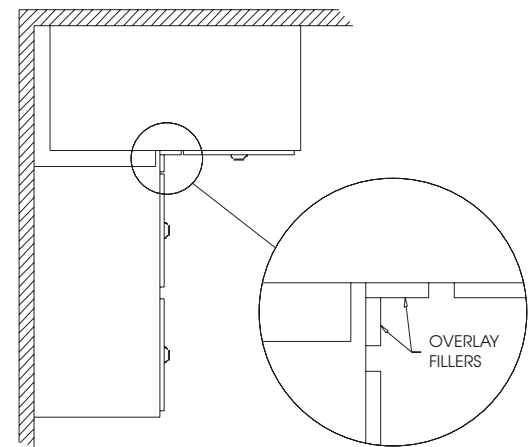
Base cabinets have a 7/8" reveal on top and bottom, 1/4" reveal on both sides.

## Corner Applications



### INCORRECT

Cabinets not "pulled" from corner leaving doors trying to occupy the same space. Watch your clearances.

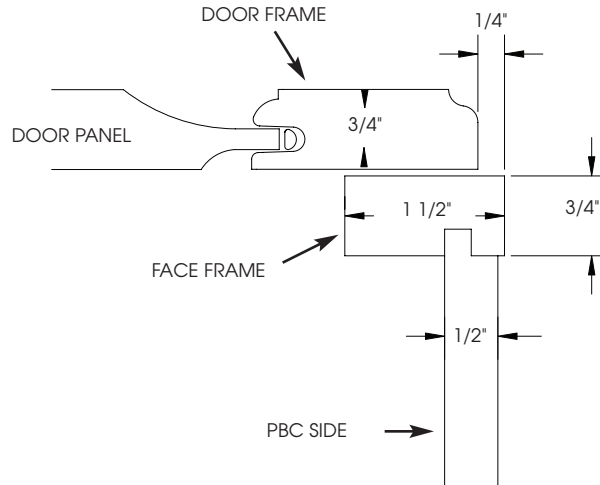


### CORRECT

Cabinets have been "pulled" from corner leaving proper operating clearance for doors. (Note: Overlay fillers are available to dress out the space left on the face.)

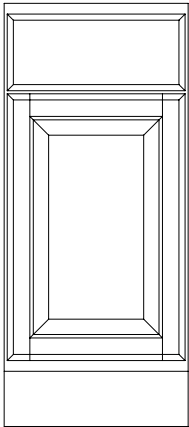
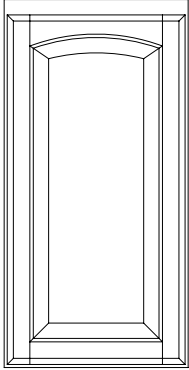
## FULL OVERLAY DOORS STYLES CONCEALED HINGE

- HARTMAN
- NEWMAN ARCH
- NEWMAN SQUARE
- PINNACLE SQUARE
- QUINCY 3
- SUMMIT ARCH
- SUMMIT SQUARE
- VISAGE SQUARE



# DOOR STYLES

## Newman-Arch



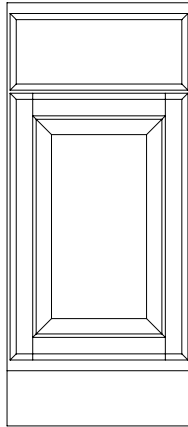
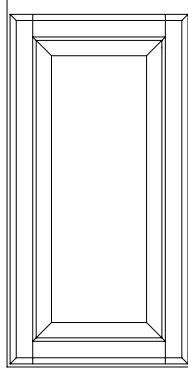
Door:  
Frame is 3/4" X 2 1/8"  
solid wood with mortise and  
tenon joint construction. Raised  
center panel is 3/4" thick solid  
wood set into the door frame.  
Newman Arch Panel on Wall  
Cabinets. Newman Square  
Panel on Base Cabinets.

Drawer Front:  
3/4" solid wood.

Full Overlay  
Concealed Hinge

Wood	Stain
Oak	Laurel Toffee Dawn
Maple	Natural Snowbank Toffee Dawn
Birch	Natural Snowbank Toffee Dawn Rose
Hickory	Natural Toffee
Rustic Hickory	Natural Toffee

## Newman-Square



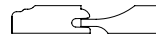
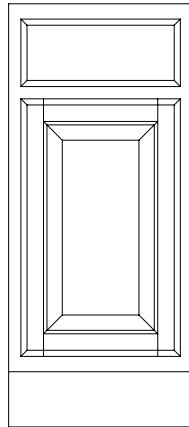
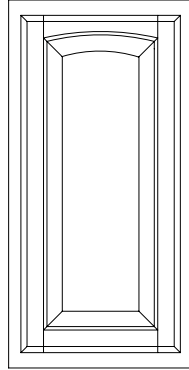
Door:  
Frame is 3/4" X 2 1/8"  
solid wood with mortise and  
tenon joint construction. Raised  
center panel is 3/4" thick solid  
wood set into the door frame.  
Newman Square Panel on Wall  
and Base Cabinets.

Drawer Front:  
3/4" solid wood.

Full Overlay  
Concealed Hinge

Wood	Stain
Oak	Laurel Toffee Dawn
Maple	Natural Snowbank Toffee Dawn
Birch	Natural Snowbank Toffee Dawn Rose
Hickory	Natural Toffee
Rustic Hickory	Natural Toffee

## Milan-Arch



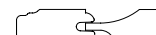
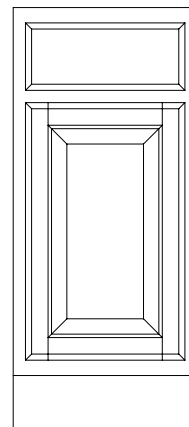
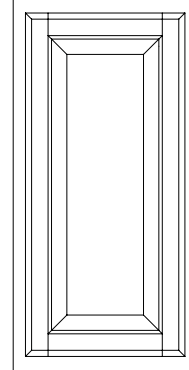
Door:  
Frame is 3/4" X 2 1/8"  
solid wood with mortise and  
tenon joint construction. Raised  
center panel is 3/4" thick solid  
wood set into the door frame.  
Milan Arch Panel on Wall  
Cabinets. Milan Square Panel  
on Base Cabinets.

Drawer Front:  
3/4" solid wood.

Standard Overlay  
Concealed Hinge

Wood	Stain
Oak	Laurel Toffee Dawn
Maple	Natural Snowbank Toffee Dawn
Birch	Natural Snowbank Toffee Dawn Rose
Hickory	Natural Toffee

## Milan-Square



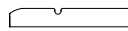
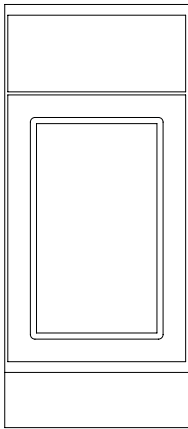
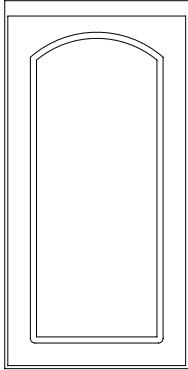
Door:  
Frame is 3/4" X 2 1/8"  
solid wood with mortise and  
tenon joint construction. Raised  
center panel is 3/4" thick solid  
wood set into the door frame.  
Milan Square Panel on Wall and  
Base Cabinets.

Drawer Front:  
3/4" solid wood.

Standard Overlay  
Concealed Hinge

Wood	Stain
Oak	Laurel Toffee Dawn
Maple	Natural Snowbank Toffee Dawn
Birch	Natural Snowbank Toffee Dawn Rose
Hickory	Natural Toffee

**Summit-Arch**

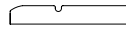
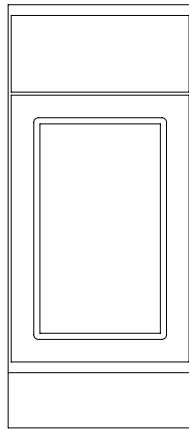
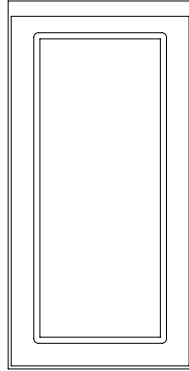


Door:  
3/4" thick MDF with White Thermofoil. Summit Arch Raised Center Panel Appearance on Wall Cabinets. Summit Square Raised Center Panel Appearance on Base Cabinets.

Drawer Front:  
3/4" thick MDF with White Thermofoil.

Full Overlay  
Concealed Hinge

**Summit-Square**

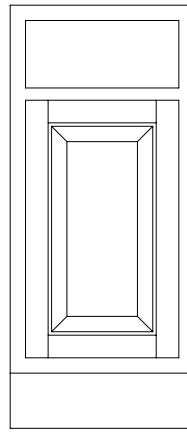
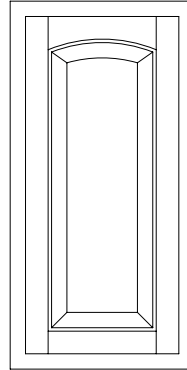


Door:  
3/4" thick MDF with White Thermofoil. Summit Square Raised Center Panel Appearance on Wall and Base Cabinets.

Drawer Front:  
3/4" thick MDF with White Thermofoil.

Full Overlay  
Concealed Hinge

**Tempest-Arched**



Door:  
Frame is 3/4" X 2 1/8" solid wood with mortise and tenon joint construction. Raised veneered center panel is 3/4" thick set into the door frame. Tempest Arch Panel on Wall Cabinets. Tempest Square Panel on Base Cabinets.

Drawer Front:  
3/4" solid wood.

Standard Overlay  
Concealed Hinge

Wood  
Oak

Stain  
Laurel  
Toffee  
Dawn

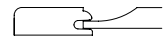
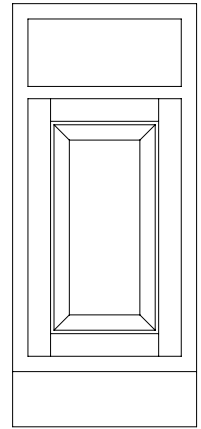
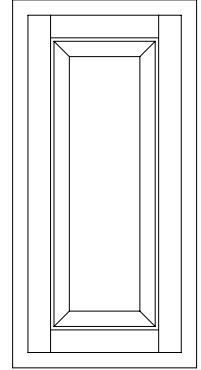
Birch

Natural  
Snowbank  
Toffee  
Dawn  
Rose

Hickory

Natural  
Toffee

**Tempest-Square**



Door:  
Frame is 3/4" X 2 1/8" solid wood with mortise and tenon joint construction. Raised veneered center panel is 3/4" thick set into the door frame. Tempest Square Panel on Wall and Base Cabinets.

Drawer Front:  
3/4" solid wood.

Standard Overlay  
Concealed Hinge

Wood  
Oak

Stain  
Laurel  
Toffee  
Dawn

Birch

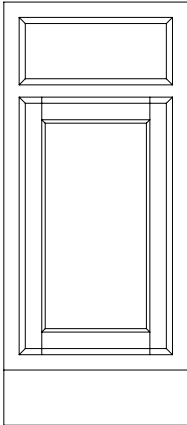
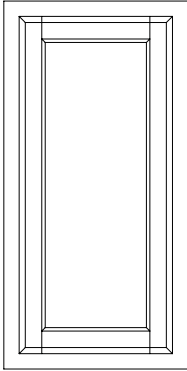
Natural  
Snowbank  
Toffee  
Dawn  
Rose

Hickory

Natural  
Toffee

# DOOR STYLES

## Logan-Square



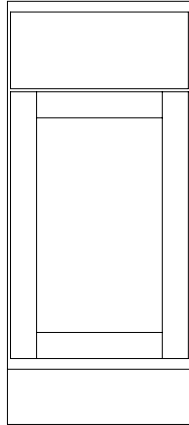
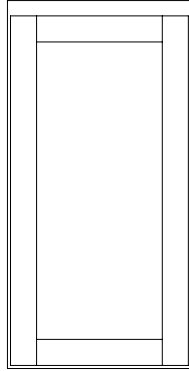
Door:  
Frame is 3/4" X 2 1/8"  
solid wood with mortise and  
tenon joint construction.  
Flat center panel is plywood  
set into the door frame.  
Logan Square Panel on Wall  
and Base Cabinets.

Drawer Front:  
3/4" solid wood.

Standard Overlay  
Concealed Hinge

Wood	Stain
Oak	Laurel
	Toffee
	Dawn
Birch	Natural
	Snowbank
	Toffee
	Dawn
	Rose
Hickory	Natural
	Toffee

## Visage-Square



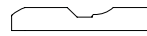
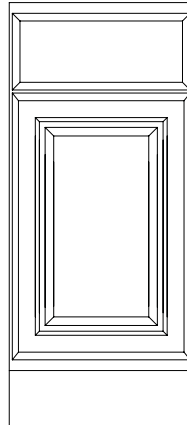
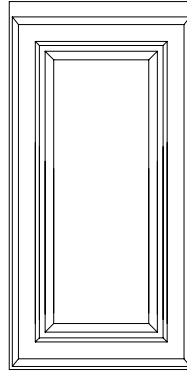
Door:  
Frame is 3/4" X 2 1/8"  
solid wood with mortise and  
tenon joint construction.  
Flat center panel is plywood  
set into the door frame.  
Visage Square Panel on Wall  
and Base Cabinets.

Drawer Front:  
3/4" solid wood.

Full Overlay  
Concealed Hinge

Wood	Stain
Oak	Laurel
	Toffee
	Dawn
Maple	Natural
	Snowbank
	Toffee
	Dawn
Birch	Natural
	Snowbank
	Toffee
	Dawn
	Rose
Hickory	Natural
	Toffee
Rustic Hickory	Natural
	Toffee

## Pinnacle-Square

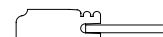
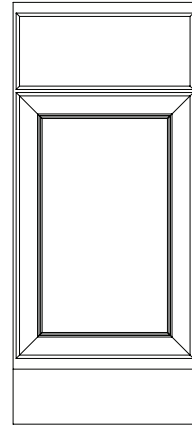
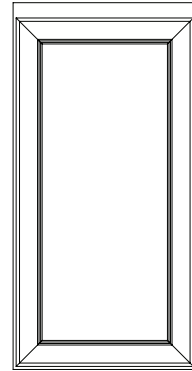


Door:  
3/4" thick MDF with White  
Thermofoil. Pinnacle  
Square Raised Center Panel  
Appearance on Wall and  
Base Cabinets.

Drawer Front:  
3/4" thick MDF with White  
Thermofoil.

Full Overlay  
Concealed Hinge

## Hartman



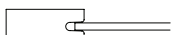
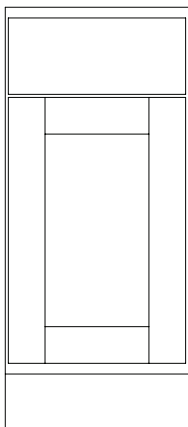
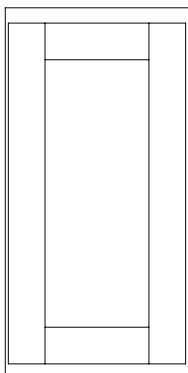
Door:  
Frame is 3/4" X 2 1/8"  
solid wood with mortise and  
tenon mitered joint construction.  
Flat center panel is plywood  
set into the door frame.  
Hartman Square Panel on Wall  
and Base Cabinets.

Drawer Front:  
3/4" solid wood.

Full Overlay  
Concealed Hinge

Wood	Stain
Oak	Laurel
	Toffee
	Dawn
Maple	Natural
	Snowbank
	Toffee
	Dawn
Birch	Natural
	Snowbank
	Toffee
	Dawn
	Rose
	Java
Hickory	Natural
	Toffee
Rustic Hickory	Natural
	Toffee

**Quincy 3**



Door:  
 Frame is 3/4" X 3"  
 solid wood with mortise and  
 tenon joint construction.  
 Flat center panel is plywood  
 set into the door frame.  
 Quincy 3 Square Panel on Wall  
 and Base Cabinets.

Drawer Front:  
 3/4" solid wood.

Full Overlay  
 Concealed Hinge

Wood	Stain
Oak	Laurel
	Toffee
	Dawn
Maple	Natural
	Snowbank
	Toffee
	Dawn
Birch	Natural
	Snowbank
	Toffee
	Dawn
	Rose
Hickory	Natural
	Toffee
Rustic Hickory	Natural
	Toffee