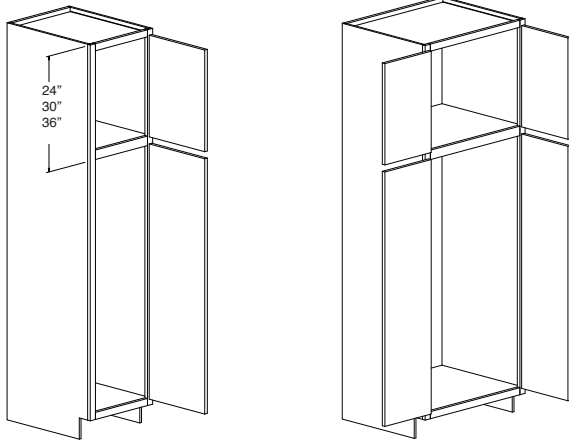


**Broom Cabinet**  
No Shelves

96" High Cabinets have the option of having the subtoe shipped loose. Specify "Ship Subtoe Loose"

Specify Hinge (L or R) on Single Door Cabinets



**Top Cabinet Section Heights:**

<b>84"High</b> <b>24"</b>	<b>90"High</b> <b>30"</b>	<b>96"High</b> <b>36"</b>
------------------------------	------------------------------	------------------------------

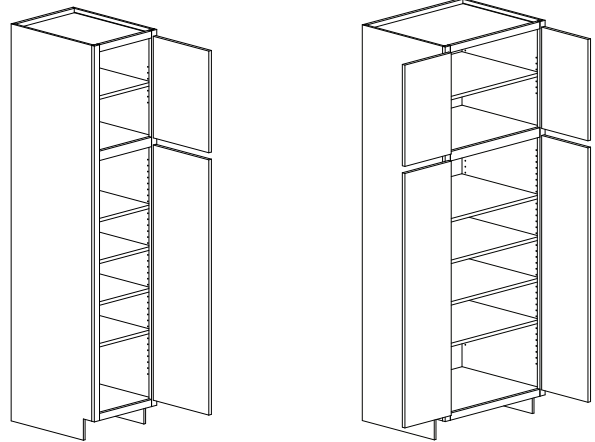
<b>24" Deep Single Door</b> BR158424 BR188424 BR248424-1 <b>Butt Doors</b> BR248424-2 BR308424 BR368424	<b>24" Deep Single Door</b> BR159024 BR189024 BR249024-1 <b>Butt Doors</b> BR249024-2 BR309024 BR369024	<b>24" Deep Single Door</b> BR159624 BR189624 BR249624-1 <b>Butt Doors</b> BR249624-2 BR309624 BR369624
--	--	--

<b>12" Deep Single Door</b> BR158412 BR188412 BR248412-1 <b>Butt Doors</b> BR248412-2 BR308412 BR368412	<b>12" Deep Single Door</b> BR159012 BR189012 BR249012-1 <b>Butt Doors</b> BR249012-2 BR309012 BR369012	<b>12" Deep Single Door</b> BR159612 BR189612 BR249612-1 <b>Butt Doors</b> BR249612-2 BR309612 BR369612
--	--	--

**Utility Cabinet Style A**

96" High Cabinets have the option of having the subtoe shipped loose. Specify "Ship Subtoe Loose"

Specify Hinge (L or R) on Single Door Cabinets



**Top Cabinet Section Heights:**

<b>84"High</b> <b>24"</b>	<b>90"High</b> <b>30"</b>	<b>96"High</b> <b>36"</b>
------------------------------	------------------------------	------------------------------

<b>24" Deep Single Door 5 Adj. Shelves</b> UT158424A UT188424A UT248424A-1 <b>Butt Doors</b> UT248424A-2 UT308424A UT368424A	<b>24" Deep Single Door 5 Adj. Shelves</b> UT159024A UT189024A UT249024A-1 <b>Butt Doors</b> UT249024A-2 UT309024A UT369024A	<b>24" Deep Single Door 6 Adj. Shelves</b> UT159624A UT189624A UT249624A-1 <b>Butt Doors</b> UT249624A-2 UT309624A UT369624A
---	---	---

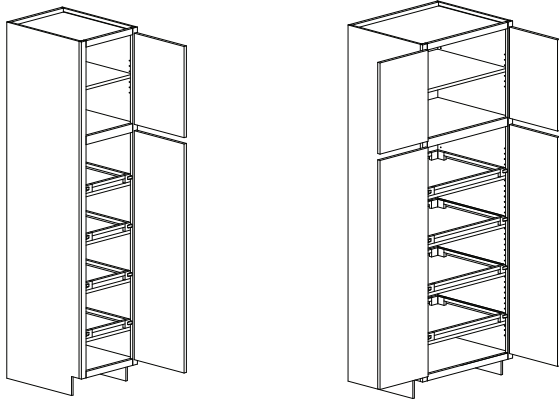
<b>12" Deep Single Door</b> UT158412A UT188412A UT248412A-1 <b>Butt Doors</b> UT248412A-2 UT308412A UT368412A	<b>12" Deep Single Door</b> UT159012A UT189012A UT249012A-1 <b>Butt Doors</b> UT249012A-2 UT309012A UT369012A	<b>12" Deep Single Door</b> UT159612A UT189612A UT249612A-1 <b>Butt Doors</b> UT249612A-2 UT309612A UT369612A
--	--	--

# TALL CABINETS

## Utility Cabinet Style B

96" High Cabinets have the option of having the subtoe shipped loose. Specify "Ship Subtoe Loose"

Specify Hinge (L or R) on Single Door Cabinets



### Top Cabinet Section Heights:

84"High  
24"

90"High  
30"

96"High  
36"

24" Deep  
Single Door  
1 Adj Shelf  
4 Roll Trays

UT158424B  
UT188424B  
UT248424B-1  
**Butt Doors**  
UT248424B-2  
UT308424B  
UT368424B

24" Deep  
Single Door  
1 Adj. Shelf  
4 Roll Trays

UT159024B  
UT189024B  
UT249024B-1  
**Butt Doors**  
UT249024B-2  
UT309024B  
UT369024B

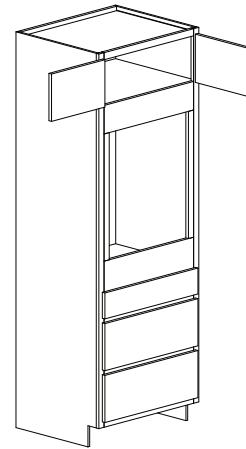
24" Deep  
Single Door  
2 Adj. Shelves  
4 Roll Trays

UT159624B  
UT189624B  
UT249624B-1  
**Butt Doors**  
UT249624B-2  
UT309624B  
UT369624B

## Single Oven Style A Oven Cabinet Shipped with Minimum Cutouts

96" High Cabinets have the option of having the subtoe shipped loose.

Specify: "Ship Subtoe Loose"



84"High  
12" Top Section

90"High  
18" Top Section

96"High  
24" Top Section  
1 Adj. Shelf

OSB2784A  
OSB3084A  
OSB3384A

OSB2790A  
OSB3090A  
OSB3390A

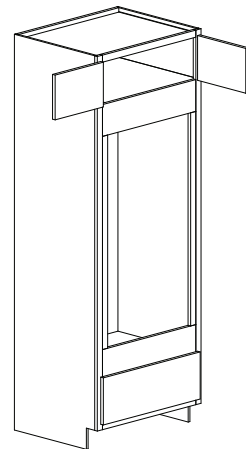
OSB2796A  
OSB3096A  
OSB3396A

Cabinet Width	Cutout Width		Cutout Height	
	Min.	Max.	Min.	Max.
27"	21	25	27	37 1/2
30"	24	28	27	37 1/2
33"	27	31	27	37 1/2

## Double Oven Style A Oven Cabinet Shipped with Minimum Cutouts

96" High Cabinets have the option of having the subtoe shipped loose.

Specify: "Ship Subtoe Loose"



84"High  
12" Top Section

90"High  
18" Top Section

96"High  
24" Top Section  
1 Adj. Shelf

OD2784A  
OD3084A  
OD3384A

OD2790A  
OD3090A  
OD3390A

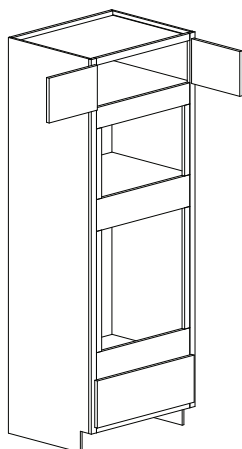
OD2796A  
OD3096A  
OD3396A

Cabinet Width	Cutout Width		Cutout Height	
	Min.	Max.	Min.	Max.
27"	21	25	45 5/8	56 5/8
30"	24	28	45 5/8	56 5/8
33"	27	31	45 5/8	56 5/8

**Oven-Microwave**  
**Oven Cabinet Shipped**  
**with Minimum Cutouts**

96" High Cabinets have the option of having the subtoe shipped loose.

Specify: "Ship Subtoe Loose"

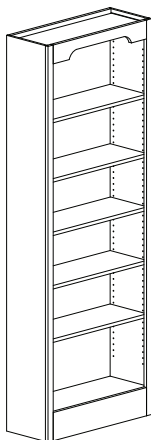


84"High 12" Top Section	90"High 18"Top Section	96"High 24" Top Section 1 Adj. Shelf
OM2784	OM2790	OM2796
OM3084	OM3090	OM3096
OM3384	OM3390	OM3396

Cabinet Width	Cutout Width Oven & Microwave		Cutout Height Oven		Cutout Height Microwave	
	Min.	Max.	Min.	Max.	Min.	Max.
27"	21	25	26	35	15	18
30"	24	28	26	35	15	18
33"	27	31	26	35	15	18

**Bookcase Tall Style A**  
**12" Deep**  
**5 Adjustable Shelves**  
**Matching Woodgrain Laminate Interior**  
**Integral Valance Rail (Arched)**  
**Flush Toe Space**

Subtoe is Shipped Attached Unless Specified "Ship Subtoe Loose"



84"High	90"High	96"High
BT1884A	BT1890A	BT1896A
BT2484A	BT2490A	BT2496A
BT3084A	BT3090A	BT3096A
BT3684A	BT3690A	BT3696A