



KITCHEN+/ELAN

PRODUCT UPDATES - JUNE 1ST, 2023





So...

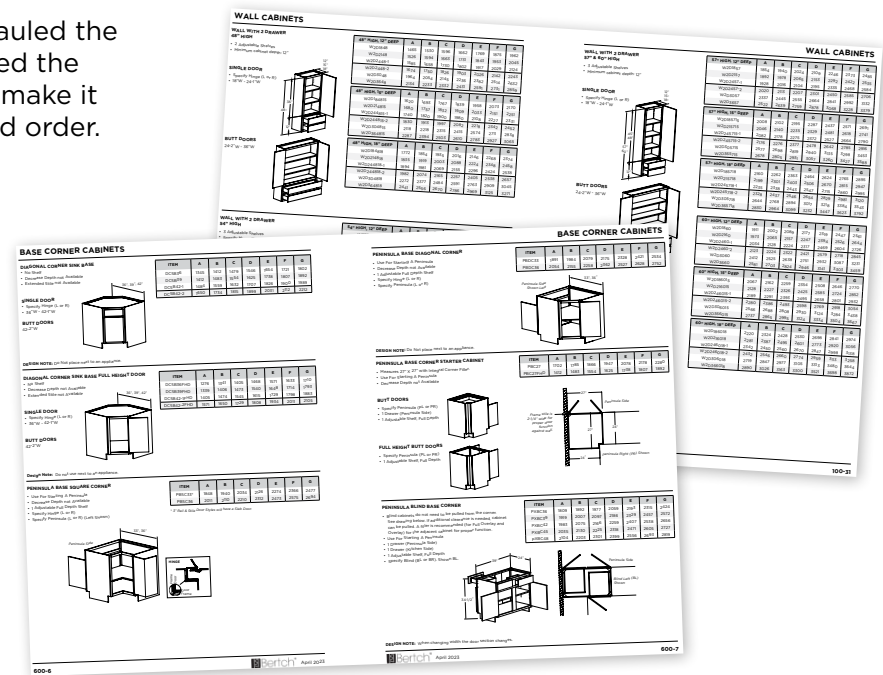
what's new?

We have been working for months on research and development, testing, samples, studying trends, fine-tuning production, and so much more, in order to bring you completely revamped Kitchen+ and Elan product lines.

So, what's new? For starters, we completely overhauled the catalogs. We've streamlined our offering, condensed the catalog pages, and updated the catalog design to make it more attractive AND easier to navigate, design, and order.

Some of the key catalog updates include:

- Spec Info and Price on Same Page
- More Dimensions and Details
- One Modification Section
- New Section for Wood Hoods & Panels/Fillers

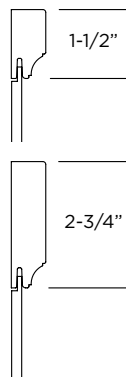


Keep reading to learn more about some of the key updates we've made!

Introducing

Huntington

DOOR STYLE!



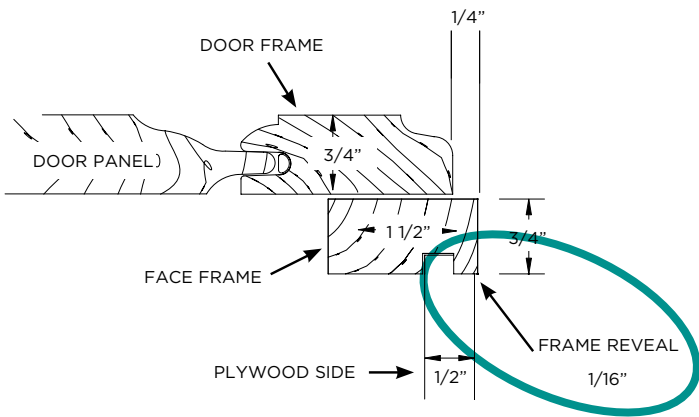
- Deep recessed flat panel with a dramatic sculpted profile
- Available in Full Overlay and Inset
- Price Group D



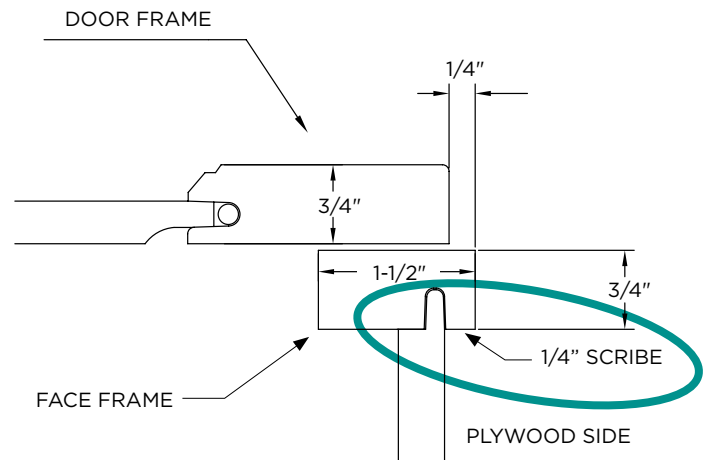
UPDATED FRAME CONSTRUCTION

New construction for Kitchen+. Cabinets will be constructed with a 1/4" reveal for unfinished and finished ends. With new Flush Finished End options!

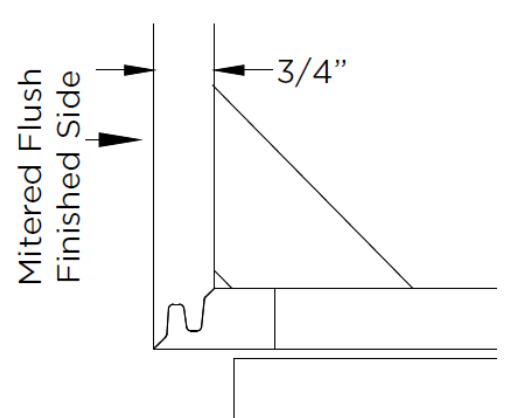
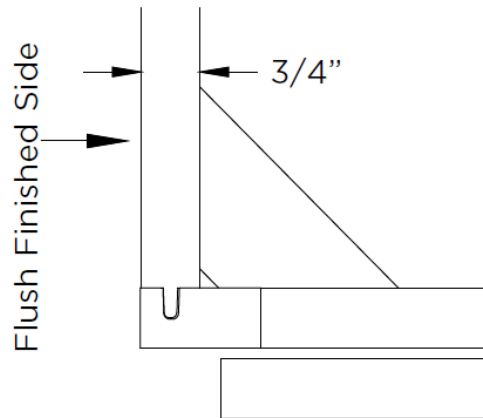
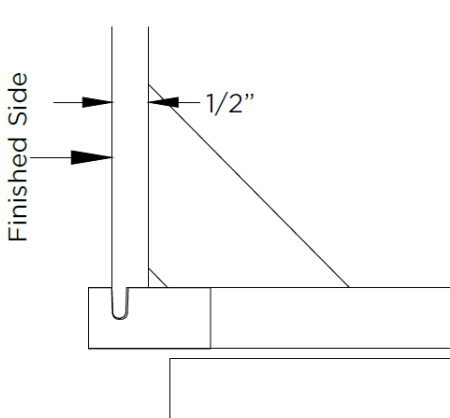
CURRENT



NEW



We've added new and improved FLUSH FINISHED SIDE OPTIONS



taking wall & tall cabinets to

new heights!

We've added a HUGE amount of skus to our wall and tall cabinet selections! Tons of new height and width options to Wall Cabinets, Wall Corner Cabinets, Wall Specialty Cabinets, and Tall Cabinets!

KITCHEN+

WALL CABINETS

54", 57", 60" heights
12", 15", 18", 21" widths to 12, 15, 18, 21 high cabinets
9" width 24 high cabinets
Lift up appliance door cabinets

WALL CORNER

48", 54", 57", 60" heights
48" heights to peninsula cabinets
square corner split wall cabinets
diagonal corner with lift up appliance door
hinge option d is default (concealed hinge)

WALL SPECIALTY

12" heights & 18", 21", 39", 42" widths to lift up
Bi-fold lift up
Lift up door appliance garage
Double door appliance garage
Wine wall style x - added sizes & Double X

TALL CABINETS

102", 108", and 120" heights added!

ELAN

WALL CABINETS

33", 48", 54", 57", 60" heights
12", 15", 18" heights to widths 39"+
45", 48" widths to 21", 24" high cabinets
48", 54", 57", 60" heights to split wall cabinets

WALL CORNER CABINETS

33", 48", 54", 57", 60" heights
48" heights to peninsula cabinets
diagonal corner w/ lift up appliance door

WALL SPECIALTY

12" heights & 18", 21", 39", 42" widths to lift up
lift up door appliance garage
double door appliance garage
wine wall lattice - added sizes
wine wall style x - added sizes & double x

TALL CABINETS

102", 108", and 120" heights added!

it's all good

in the hood

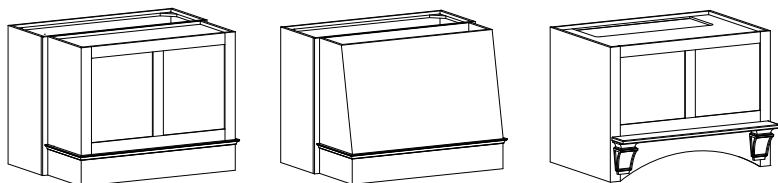
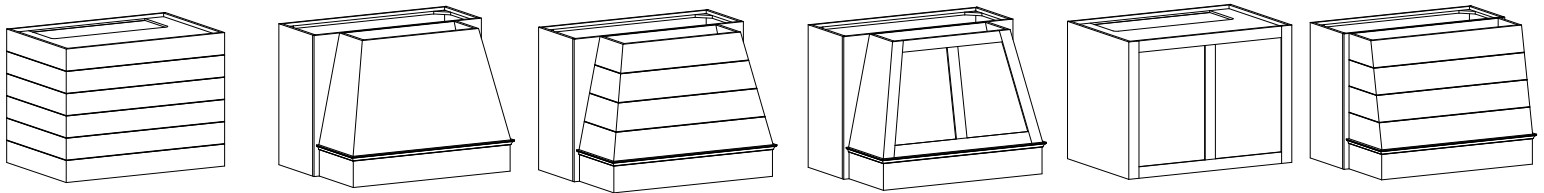
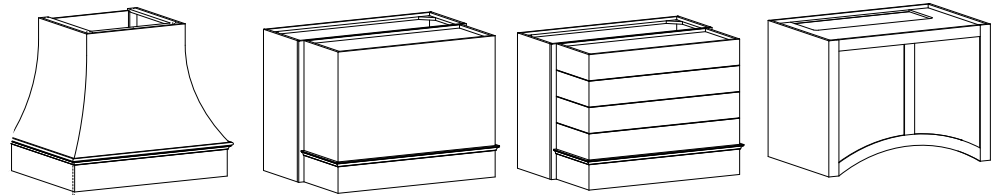
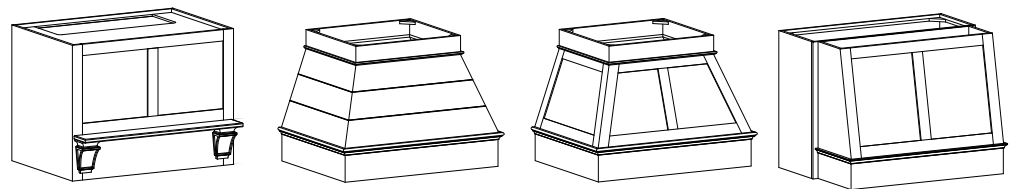
We've expanded our wood hood options and made the ordering process much easier. Be sure to check out the new wood hoods catalog section!

MAIN HOOD STYLES INCLUDE:

- Box**
- Box Arch**
- Flared Canopy**
- Curved Canopy**
- Modern**
- Modern Independent**
- Create A Hearth**

Each style has multiple design options, including plain, shiplap, and paneled. Some exceptions apply.

With Vent-A-Hood liners and blower included. Detailed specs included.





We added several island end cap options, including post ends, box ends (shown), and "X" ends, making it easier to design those islands.

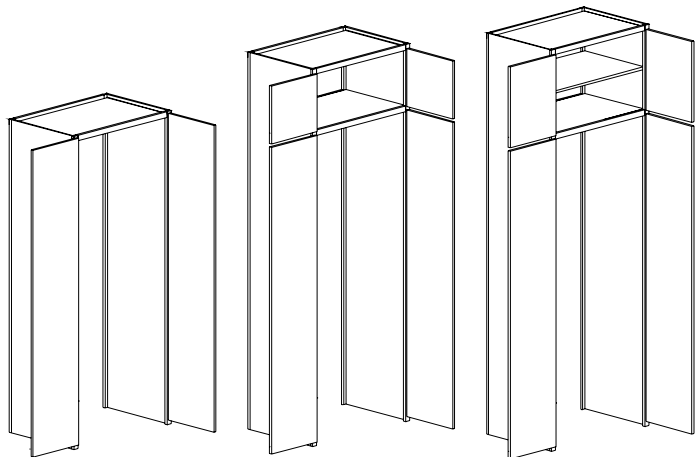
livin' that
island life



don't mind us, we're just

passing through!

Previously a custom item, we've added pass through cabinetry skus so you can easily incorporate this growing trend into your kitchen designs!



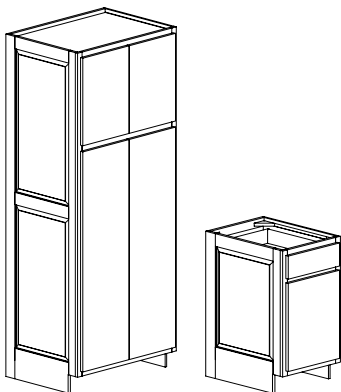
Refer to the tall cabinets section in the catalog for more information. Kitchen+ - page 800-15

tons of exciting

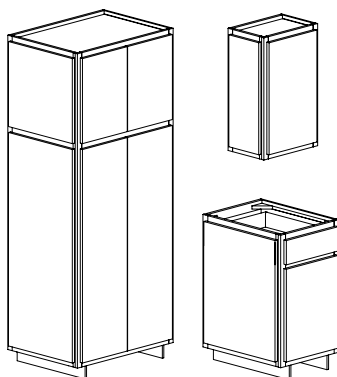
modifications!

Custom tailor a kitchen for your customer with some of these exciting modifications!

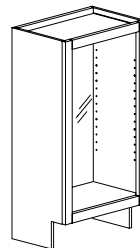
PANELED END CABINET



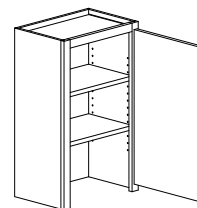
FUNCTIONAL DOOR ON END OF CABINET



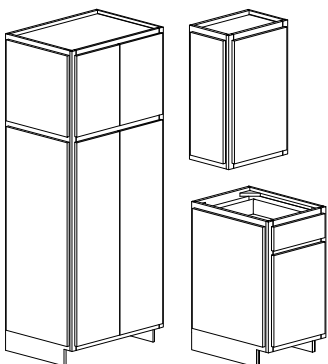
MIRROR LINED BACK



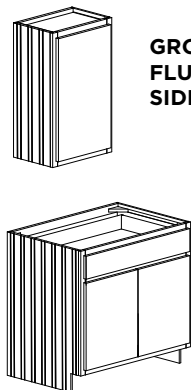
OMIT BOTTOM RAIL & FLOOR (WALL)



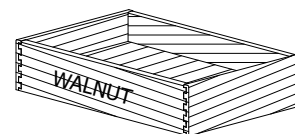
DECORATIVE END PANEL (APPLIED DOOR)



GROOVED FLUSH FINISHED SIDE



WALNUT DRAWER BOXES



PLUS

- TWO FINISHES/ONE CABINET
- CHANGE CABINET REVEAL

AND SEVERAL MORE KEY ADDITIONS AND IMPROVEMENTS!

hey,

**cut it
out!**
(for free!)

No additional charge
for appliance cutouts!

2020 & Pro-Kitchen
catalogs available
on InfoNet May 26th!

Electronic Kitchen+ and
Elan catalogs available for
download now on InfoNet

IMPORTANT DATES

MAY 25TH @ 10 A.M. (CDT)

Dealer Training Session 1

Click [here](#) to register!

MAY 25TH @ 2 P.M. (CDT)

Dealer Training Session 2

Click [here](#) to register!

JUNE 1ST

Official Launch Date -
Start ordering new items!

SEPTEMBER 1ST

Last day to order any retired products



After registering, you will receive a confirmation email containing information about joining the webinar. **You only need to register for one training session.**

WHAT'S OUT?

They've had a good run, but...

THESE ITEMS WILL BE OFFICIALLY RETIRED ON SEPTEMBER 1ST, 2023

KITCHEN+ (framed)

- Wall end shelves - Radius, angled, square
- Wall plate rack
- Fan cabinet
- Wine wall combination
- Wall with condiment drawers
- Wall with plate rack
- Valance styles - Scrolled, victorian, baroque
- Wall pull-out peg board
- Wall microwave style a-b and c
- Fluted fillers
- Beaded filler
- Angled fluted filler with return
- Fluted end wings
- Extended end wing with angle
- End panel beaded
- Soffit panel
- Half round shelf
- Under cabinet shelf
- Under cabinet corner shelf
- Finished bottoms
- Hutch side extended down
- Face frame chamfer
- Quarter columns
- Blind base w/ swing outs & roll trays
- Base sq. Corner 12" deep (inc. Penin.)
- Base diagonal corner 24" Shelf, lazy susan, penin.
- Base cookware organizer
- Base with wicker baskets
- Base tilt-out bins
- Base pull out table
- Base half round
- Base end shelf - sq. & Angle
- Create a table
- Cookware organizer
- Sliding towel bar kit
- Tall lid storage insert
- Undersink radius shelf
- Scooped side
- Outside corner tall
- Tall angled corner
- Tall wine storage cube
- Tall end shelf
- Furniture sink table
- Medicine cabinet with light
- Tri-view with light
- Oval sconce
- Traditional light
- Contemporary light
- Bookcase wall with tambour
- Bookcase classical
- Lawyer's bookcase
- Base file cabinet 4 drawers
- Mudroom mirror
- Hall trees
- Corner hutch cabinet
- Bookcase tall styles - c, d, e, f
- Create a fireplace
- Mirror
- Bow front cabinets (effective 5/11/23)
- Curved moldings and trim (effective 5/11/23)

ELAN (frameless)

- Wall with vegetable bin
- Wall with plate rack
- Wall with condiment drawers
- Wall pull out peg board
- Wine wall style b
- Wall plate rack
- Tip out bin
- Wall end shelves - Radius, angled, square
- Fan cabinet
- Fluted fillers
- Fluted end wings
- Extended end wing with angle
- End panel beaded
- Soffit panel
- Half round shelf
- Under cabinet shelf
- Under cabinet corner shelf
- Blind corner base wire shelf turn out
- Diagonal corner base wire lazy susan
- Base pull out table
- Base cookware organizers
- Base with tip out bins
- Base half round
- Sliding towel bar kit
- Tall angled corner
- Tall wine storage cube
- Tall end shelf
- Curved cabinets
- Outside corner tall

KITCHEN+ AND ELAN

- Chair rail ¼ notch (contemporary & traditional)
- Deluxe batten
- Countertop edge trim - dbl bevel, dbl round, full round, beaded, classic
- Bullnose
- Beaded
- Scalloped dentil
- Rope
- Dentil
- Under countertop trim
- Small crown mission
- Small crown - squared off
- Crown - cr1111, cr1513, cr1512, cr1511, cr1611, cr1311
- Furniture base gb & cap
- Cb base trim
- Casing
- 18" High arched panel valances
- Victorian toekick valance
- Finished shelf beaded
- Appliance panel styles - a, b
- Turned posts - 24", 30", 42", 48" heights
- All reeded, fluted, twisted
- Architectural posts with fluting
- Wood legs - wl06, wl07, wl17
- Metal legs - ml02, ml06
- Mission corbel 28" high
- Bar brackets (all)
- Acanthus corbels (all)
- Traditional corbels (all)
- Pedestal feet



 Bertch®